

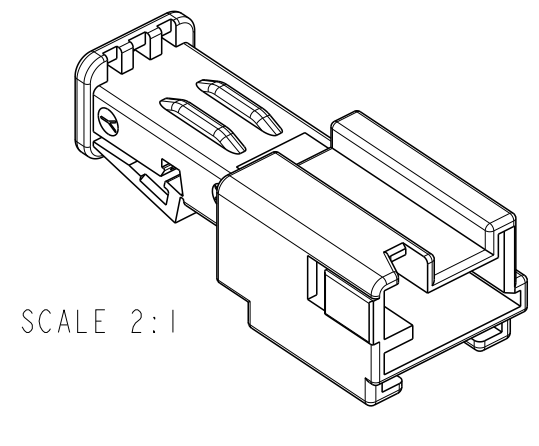
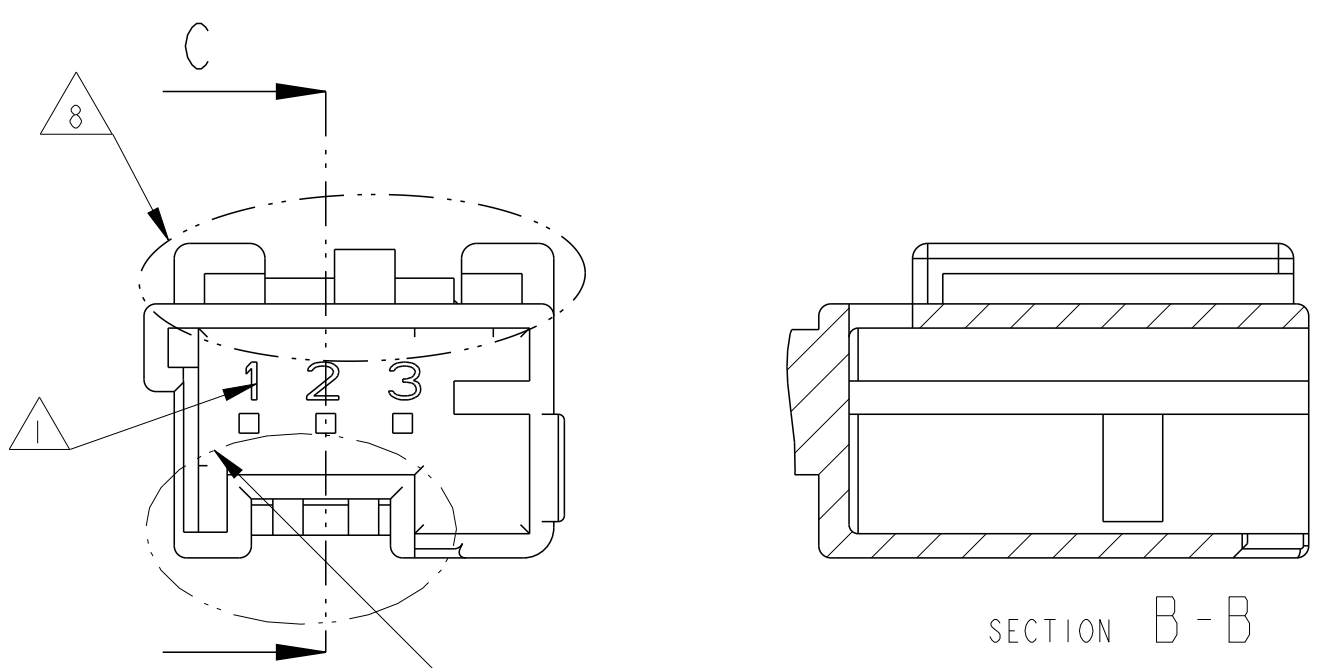
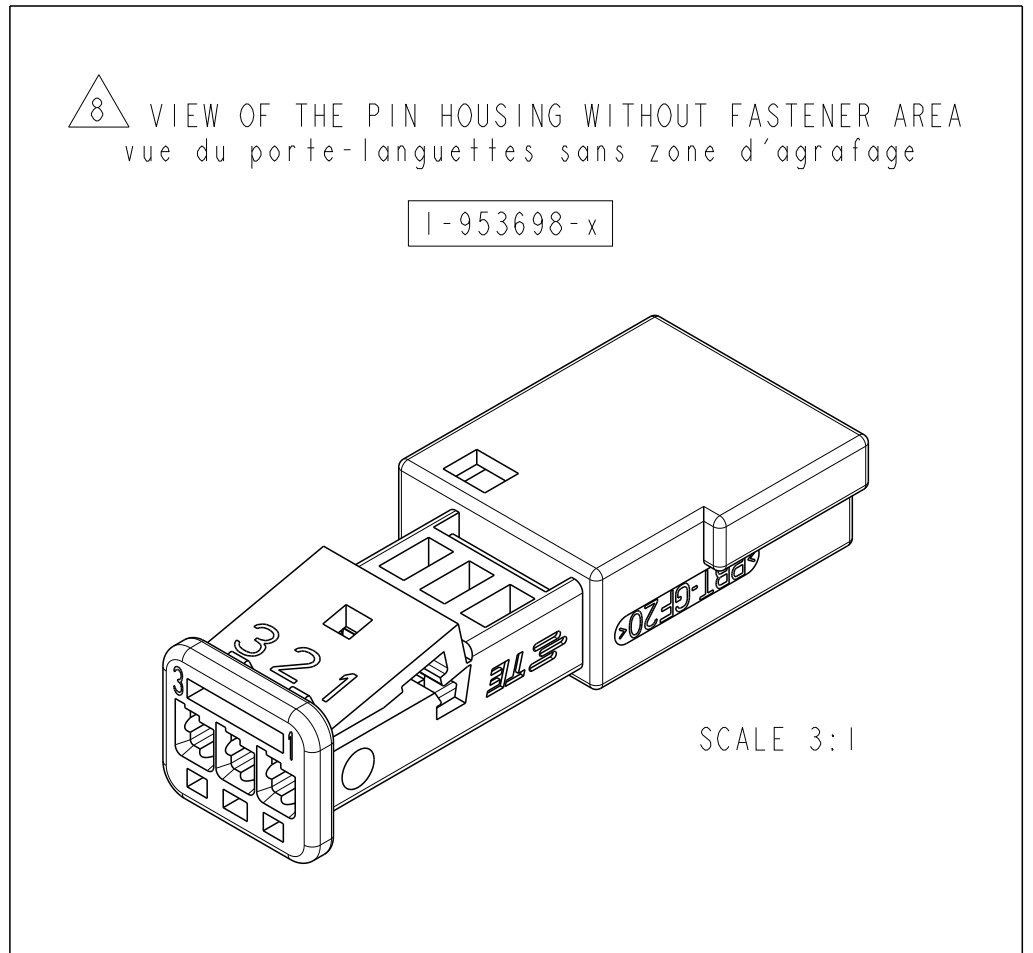
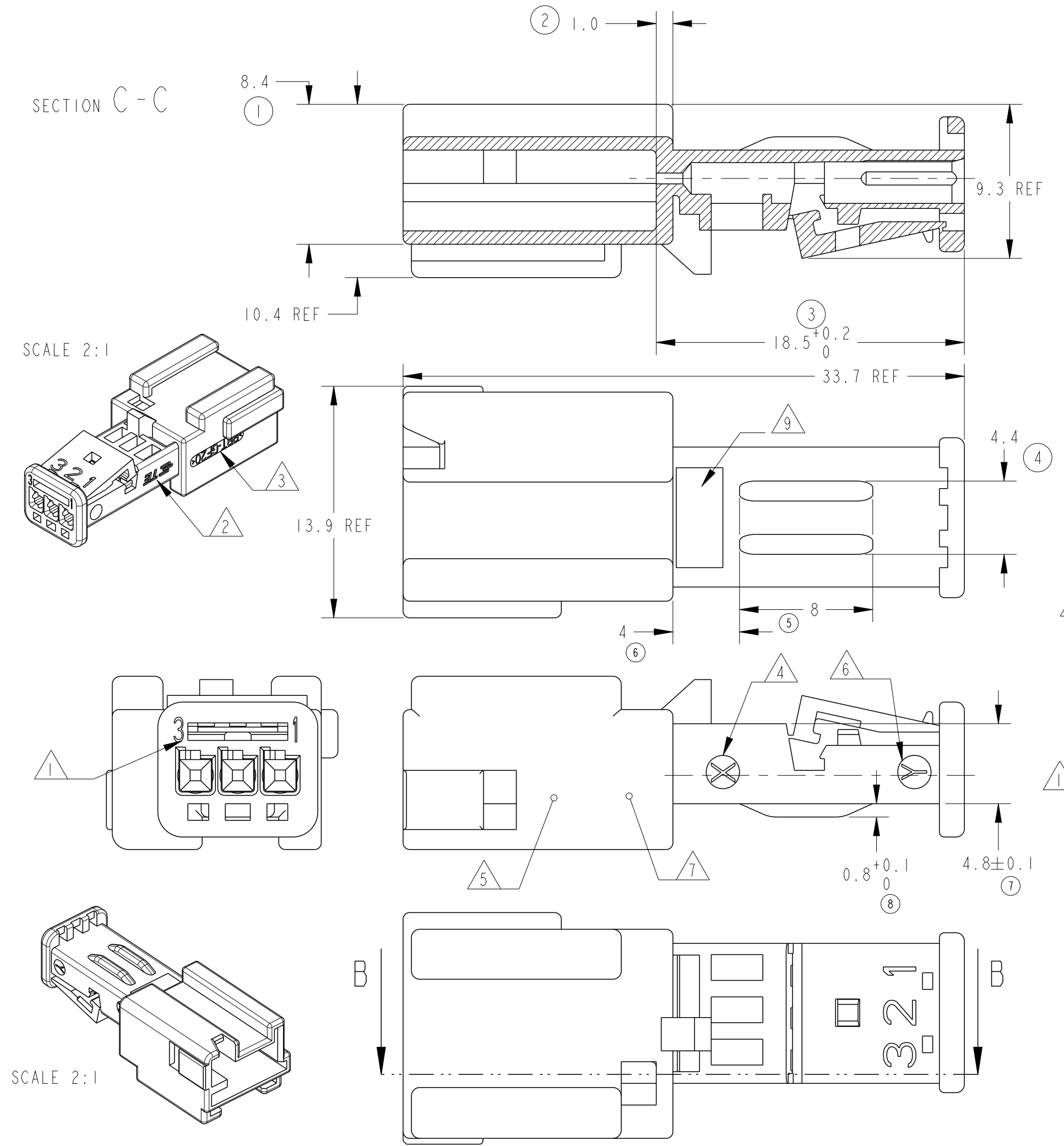
THIS DRAWING IS UNPUBLISHED.
 DIFFUSION RESTREINTE
 © COPYRIGHT 2006 BY -
 2006
 RELEASED FOR PUBLICATION
 LIBRE A LA DIFFUSION
 ALL RIGHTS RESERVED.
 TOUS DROITS RESERVES

| LOC | | DIST | | REVISIONS | | | |
|-----|-----|----------------------------------|-----------|-----------|-----------|--|--|
| P | LTR | DESCRIPTION MODIFICATIONS | DATE | DWN DESS. | APVD APP. | | |
| | B | NEW PART NUMBER 2-953698-1 ADDED | 05SEP2012 | EC | XR | | |

KEYING TABLE (table de detrompage)

| COLOR couleur | BLACK noir | WHITE blanc | BLUE bleu | YELLOW jaune | GREY gris | BROWN marron |
|---|---------------------------------------|----------------|--------------|-----------------|--------------|-----------------|
| DETAIL Z ECHELLE 4:1 | | | | | | |
| TE PN (ref TE) WITH THE FASTENER AREA | 0-953698-1 2-953698-1 (SEE NOTE 9) | 0-953698-2 | 0-953698-3 | 0-953698-4 | 0-953698-5 | 0-953698-6 |
| TE PN (ref TE) WITHOUT THE FASTENER AREA | 1-953698-1 | 1-953698-2 | 1-953698-3 | 1-953698-4 | 1-953698-5 | 1-953698-6 |

- ① CAVITY MARKING
reperes alveoles
- ② AMP STAMP OR TE STAMP FOLLOWING MOLD
logo AMP ou logo TE suivant moule
- ③ MATERIAL IDENTIFICATION
identification matiere
- ④ MOLD IDENTIFICATION OPTIONAL
identification moule optionnel
- ⑤ MOLD REVISION NUMBER OPTIONAL
indice de revision moule optionnel
- ⑥ MOLD CAVITY IDENTIFICATION NUMBER
numero d'empreinte du moule
- ⑦ EXCHANGEABLE MANUFACTURING DATE STD OR YEAR/MONTH
date de fabrication exchangeable std ou annee/mois
- ⑧ REMOVABLE FASTENER AREA
zone d'agrafage kit de conversion
- ⑨ "PSA" CUSTOMER STAMP POSSIBLE
NO MARKING IN THIS AREA FOR PN 2-953698-1
Marquage logo "PSA" possible
Aucun marquage dans cette zone pour PN 2-953698-1



| | | | | | |
|--|--|---|--|--|--|
| THIS DRAWING IS A CONTROLLED DOCUMENT. CE PLAN EST UN DOCUMENT CONTROLE PAR AMP INCORPORATED. IL EST SUSCEPTIBLE D'ETRE REVISE. CONTACTER LE SERVICE TECHNIQUE D'AMP DE FRANCE POUR OBTENIR LA DERNIERE REVISION. | | DWN/DESSINE 22MAR2006 M. POLIFONIE CHK/VERIFIE 22MAR2006 X ROULLIARD APVD/APROUVE 22MAR2006 J. DAHER | | NAME TITRE | |
| DIMENSIONS: mm | | TOLERANCES UNLESS OTHERWISE SPECIFIED: TOLERANCES NON SPECIFIEES (SUIV NB DE DECIMALES) 0 PLC/DEC: ± 1 PLC/DEC: ± 2 PLC/DEC: ±0.2 3 PLC/DEC: ± 4 PLC/DEC: ± | | PRODUCT SPEC SPEC. PRODUIT 108-15226 | |
| MATERIAL/MATIERE SEE NOTES | | FINISH/FINITION ±5° | | APPLICATION SPEC SPEC. APPLICATION 411-15626 | |
| WEIGHT MASSE APPROX. 1.8g | | CAGE CODE A200779 | | DRAWING NO No PLAN C-953698 | |
| Customer Drawing /PLAN CLIENT | | UNIQUEMENT POUR REFERENCE | | RESTRICTED TO RESERVE A | |
| SCALE ECHELLE 4:1 | | SHEET FEUILLE 1 | | OF DE 1 | |
| REV B | | | | | |